

# RO-Access

## High Efficiency Traction Chargers

### Century RO-Access 24V 40A CG5504

Ro-Access much like the Robust is a newly developed range of very compact, high frequency chargers for harsh environments, such as cold storage, where there is a high level of moisture and dust.

The Ro-Access is a reporting charger, featuring Access battery monitoring system and a radio module. The entire charging process can be logged using battery monitoring units and the Access Service tool.

Ro-Access chargers are compatible with other Access chargers and are designed to be used as stand alone chargers while also capable of being used as fast chargers or opportunity chargers.

The use of high frequency power conversion can reduce the amount of input energy consumed for charging, with a high level of control of the power applied to the battery.

Small and compact design aids in flexibility of wall or floor placement and boasts a sleek and modern design.



### Features and Benefits

- Compliant to relevant Australian Standards: Century ensures full compliance with all relevant standards applicable to traction chargers.
- 30 programmed charging curves for “all” types of batteries
- For multi-shift operations all around the world.
- Protection class IP54 protected for high dust and moisture environments. It can reduce the amount of internal short circuits as a result of condensation or high humidity environments.
- Up to 95% less energy losses and more energy efficient.
- Able to store data from the last 2000 charge cycles.

# RO-Access

## Century RO-Access 24V 40A CG5504

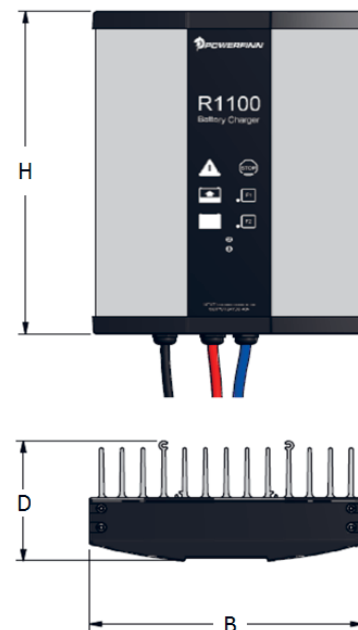
ELECTRICAL INPUT SPECIFICATIONS	
VAC Input	1P 230Vac ±10%
Input Current (Max I)	5.6A (@230VAC)
Input Frequency	47-63Hz
Power Socket Required	56C310
Power Factor	>0.98 at rated power
Efficiency	MAX 93% at full load

ELECTRICAL OUTPUT SPECIFICATIONS	
Technology	High Frequency Conversion(Soft Start)
Nominal VDC (Programmable)	24VDC
VDC Output Range	1.4 to 2.9VDC per cell
Output Power (kW)	1.2kW(2.4VPC @ 230VAC)
Max Output Current (A)	40A
Output Ripple	<1%rms from maximum output voltage (1MHz bandwidth)
Output Accuracy Setting	VDC output ±0.5% / Current output ±2%

ENVIRONMENTAL SPECIFICATIONS	
Environmental Protection	Conformal coating
Operational Temperature (Ambient)	0°C to + 40°C(Full Power), ~55°C (Absolute Max)
Storage Temperature	-35°C to + 55°C
Humidity	RH <95% Non-condensing
Cooling	Passive cooled
IP Rating	IP54

STANDARDS	
Emissions	EN61000-6-3
Immunity	EN61000-6-2
Safety	EN60335-1 & EN60335-2-29

MECHANICAL	
Weight (kgs)	5.8
Height (H) (mm)	290
Width (B) (mm)	230
Depth (D) (mm)	108



An affiliated business of the GS Yuasa Corporation, Century Yuasa has over 80-years of supplying a range of stored energy solutions to the Australian market. An established network of sales and distribution offices throughout Australia and New Zealand has seen the business gain the trust and respect from its customers by focusing on quality products and exceptional customer service. The portfolio within Century Yuasa includes a wide range of stored energy products and services, as well as identifiable brands and unique technologies for automotive, materials handling and stationary power applications. Directly maintaining and operating two manufacturing centres in Australia and employing some 500 people, Century Yuasa continues the leading Australian manufacturer of stored energy products.

All reasonable care has been taken to ensure that the data presented in this document is accurate for the purpose for which it is presented. Century Yuasa reserves the right to make changes to its products and information contained in this document without notice, and shall not be held liable for any loss or damage claimed to have arisen as a result of the use of this material.