

Robust

High Efficiency Traction Chargers

Century ROBUST 24V 80A CG5519

Robust is a newly developed range of very compact, high frequency chargers for harsh environments, such as cold storage, where there is a high level of moisture and dust.

The integrated industrial microprocessor using Century's specified algorithms can optimise charging on a range of battery types, including VRLA (Sealed) batteries. This optimisation has the benefit of delivering a fully charged battery quicker while minimising the effects that standard chargers can have on batteries.

The use of high frequency power conversion can reduce the amount of input energy consumed for charging, with a high level of control of the power applied to the battery.

Using advanced technology means that the chargers are lighter weight to conventional thyristor controlled chargers; giving operators the choice of wall mounting these chargers to prevent the risk of damage from impact from other equipment as well as increasing floor space utilisation.



Features and Benefits

- Compliant to relevant Australian Standards: Century ensures full compliance with all relevant standards applicable to traction chargers.
- Protection class IP54 protected for high dust and moisture environments. It can reduce the amount of internal short circuits as a result of condensation or high humidity environments.
- Up to 95% less energy losses and more energy efficient.
- Extremely light and compact with a modern design.

Robust

Century ROBUST 24V 80A CG5519

ELECTRICAL INPUT SPECIFICATIONS

VAC Input	1P 230Vac ±10%
Input Current (Max I)	11.0A (@230VAC)
Input Frequency	47-63Hz
Power Socket Required	56C315
Power Factor	>0.98 at rated power
Efficiency	MAX 93% at full load

ELECTRICAL OUTPUT SPECIFICATIONS

Technology	High Frequency Conversion(Soft Start)
Nominal VDC (Programmable)	24VDC
VDC Output Range	1.4 to 2.9VDC per cell
Output Power (kW)	2.3kW(2.4VPC @ 230VAC)
Max Output Current (A)	80A
Output Ripple	<1%rms from maximum output voltage (1MHz bandwidth)
Output Accuracy Setting	VDC output ±0.5% / Current output ±2%

ENVIRONMENTAL SPECIFICATIONS

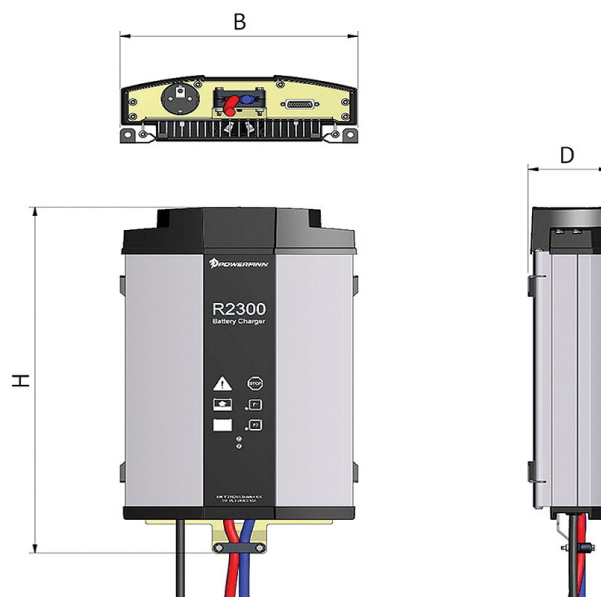
Environmental Protection	Conformal coating
Operational Temperature (Ambient)	0°C to + 40°C (Full Power), ~55°C (Absolute Max)
Storage Temperature	-35°C to + 55°C
Humidity	RH <95% Non-condensing
Cooling	Fan cooled
IP Rating	IP54

STANDARDS

Emissions	EN61000-6-3
Immunity	EN61000-6-2
Safety	EN60335-1 & EN60335-2-29

MECHANICAL

Weight (kgs)	6.1
Height (H) (mm)	367
Width (B) (mm)	230
Depth (D) (mm)	80



An affiliated business of the GS Yuasa Corporation, Century Yuasa has over 80-years of supplying a range of stored energy solutions to the Australian market. An established network of sales and distribution offices throughout Australia and New Zealand has seen the business gain the trust and respect from its customers by focusing on quality products and exceptional customer service. The portfolio within Century Yuasa includes a wide range of stored energy products and services, as well as identifiable brands and unique technologies for automotive, materials handling and stationary power applications. Directly maintaining and operating two manufacturing centres in Australia and employing some 500 people, Century Yuasa continues the leading Australian manufacturer of stored energy products.

All reasonable care has been taken to ensure that the data presented in this document is accurate for the purpose for which it is presented. Century Yuasa reserves the right to make changes to its products and information contained in this document without notice, and shall not be held liable for any loss or damage claimed to have arisen as a result of the use of this material.